

# PARTS LIST

## CAUTION

- The parts identified by the  $\triangle$  symbol are important for the safety. Whenever replacing these parts, be sure to use specified ones to secure the safety .
- The parts not indicated in this Parts List and those which are filled with lines — in the Parts No. columns will not be supplied.
- P. W. Board Ass'y will not be supplied, but those which are filled with the Parts No. in the Parts No. columns will be supplied.

### ABBREVIATIONS OF RESISTORS, CAPACITORS AND TOLERANCES

RESISTORS		CAPACITORS	
C R	Carbon Resistor	C CAP.	Ceramic Capacitor
F R	Fusible Resistor	E CAP.	Electrolytic Capacitor
P R	Plate Resistor	M CAP.	Mylar Capacitor
V R	Variable Resistor	HV CAP.	High Voltage Capacitor
HV R	High Voltage Resistor	MF CAP.	Metalized Film Capacitor
MF R	Metal Film Resistor	MM CAP.	Metalized Mylar Capacitor
MG R	Metal Glazed Resistor	MP CAP.	Metalized Polystyrol Capacitor
MP R	Metal Plate Resistor	PP CAP.	Polypropylene Capacitor
OM R	Metal Oxide Film Resistor	PS CAP.	Polystyrol Capacitor
CMF R	Coating Metal Film Resistor	TF CAP.	Thin Film Capacitor
UNF R	Non-Flammable Resistor	MPP CAP.	Metalized Polypropylene Capacitor
CH V R	Chip Variable Resistor	TAN. CAP.	Tantalum Capacitor
CH MG R	Chip Metal Glazed Resistor	CH C CAP.	Chip Ceramic Capacitor
COMP. R	Composition Resistor	BP E CAP.	Bi-Polar Electrolytic Capacitor
LPTC R	Linear Positive Temperature Coefficient Resistor	CH AL E CAP.	Chip Aluminum Electrolytic Capacitor
		CH AL BP CAP.	Chip Aluminum Bi-Polar Capacitor
		CH TAN. E CAP.	Chip Tantalum Electrolytic Capacitor
		CH AL BP E CAP.	Chip Tantalum Bi-Polar Electrolytic Capacitor

TOLERANCES									
F	G	J	K	M	N	R	H	Z	P
±1%	±2%	±5%	±10%	±20%	±30%	+30% -10%	+50% -10%	+80% -20%	+100% -0%

## CONTENTS

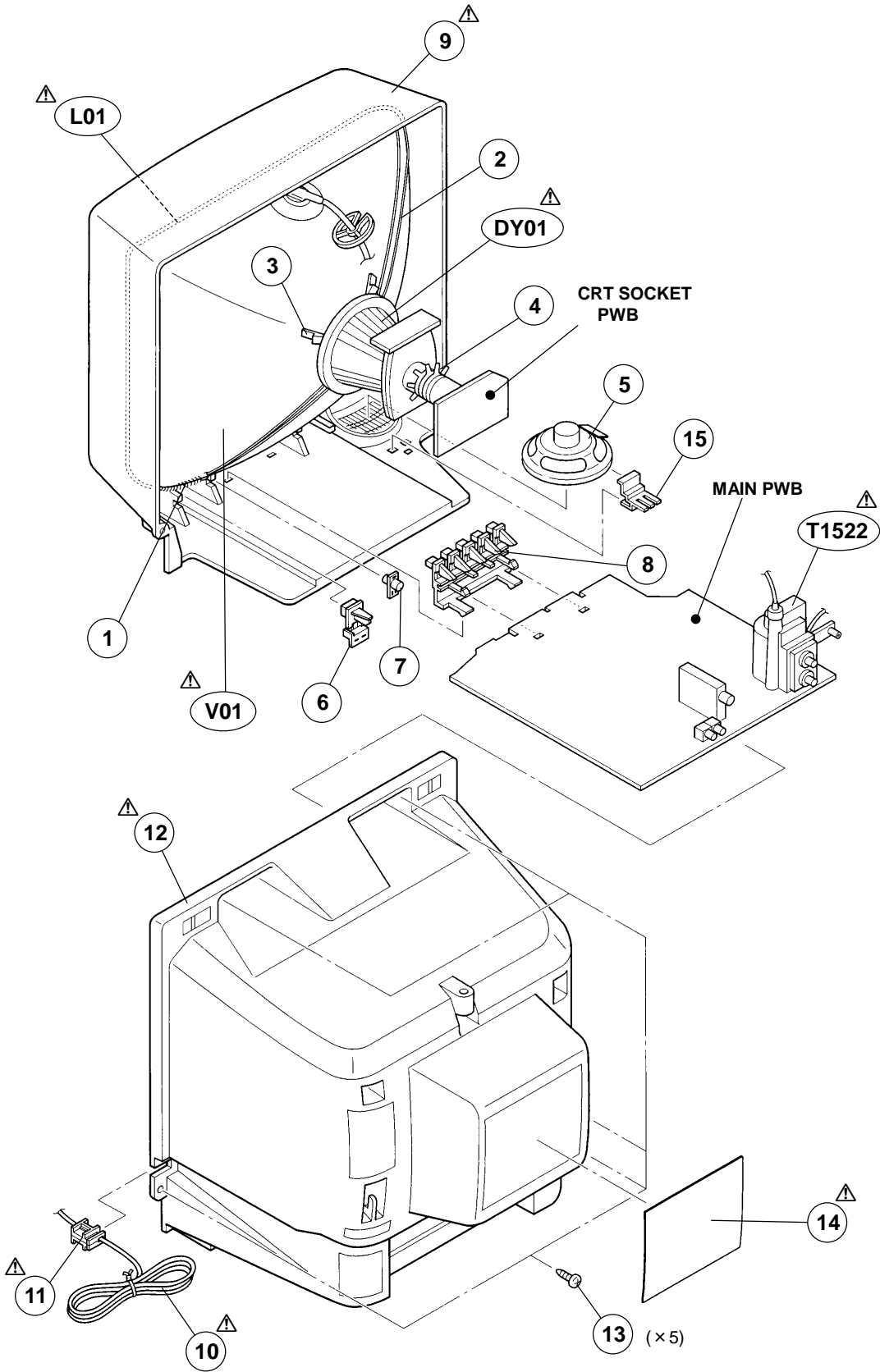
■ EXPLODED VIEW PARTS LIST .....	26
■ EXPLODED VIEW .....	27
■ PRINTED WIRING BOARD PARTS LIST	
● MAIN PW BOARD ASS'Y (SFV-1060A-M2) [C-13210] (With CRT SOCKET PW BOARD) .....	28
● MAIN PW BOARD ASS'Y (SFV-1061A-M2) [C-13211] (With CRT SOCKET PW BOARD) .....	31
■ REMOTE CONTROL UNIT PARTS LIST .....	32
■ PACKING .....	33
■ PACKING PARTS LIST .....	33

## EXPLODED VIEW PARTS LIST

<b>C-13210/s Charcoal Model</b>			
△ Ref.No.	Part No.	Part Name	Description
△ V01	A34KQW42X/DT/	PICTURE TUBE	
△ DY01	QQD0002-001	DEF YOKE	
△ L01	QQW0001-001	DEG COIL	
△ T1522	QQH0029-001	H.V.TRANSF.	
1	A48457-4-S	SPRING	
2	CHGB0016-0A	BRAIDED WIRE	
3	CE42153-00AJ1	WEDGE ASSY	(×4)
4	CE42511-00A	P.C.MAGNET	
5	CEBSS08P-01KJ2	SPEAKER	SP01
6	LC30376-001A-A	POWER KNOB	
7	LC30191-001C-A	REMOCON LENS	
8	LC30189-001B-A	CONTROL KNOB	
9	LC10055-005A-A	FRONT CABINET	
△ 10	QMPD200-200-JC	POWER CORD	CN10PW(Within MAIN PWB)
△ 11	LC20106-001D-A	POWER CORD CLAMP	
△ 12	LC10056-001G-A	REAR COVER	
13	QYSBSFG4016Z	TAPPING SCREW	(×5)
△ 14	LC31139-001A-A	RATING LABEL	
15	LC30335-001A-A	SP HOLDER	

<b>C-13211/s White Model</b>			
△ Ref.No.	Part No.	Part Name	Description
△ V01	A34KQW42X/DT/	PICTURE TUBE	
△ L01	QQW0001-001	DEG COIL	
△ DY01	QQD0002-001	DEF YOKE	
△ T1522	QQH0029-001	H.V.TRANSF.	
1	A48457-4-S	SPRING	
2	CHGB0016-0A	BRAIDED WIRE	
3	CE42153-00AJ1	WEDGE ASSY	(×4)
4	CE42511-00A	P.C.MAGNET	
5	CEBSS08P-01KJ2	SPEAKER	SP01
6	LC30376-002A-A	POWER KNOB	
7	LC30191-001C-A	REMOCON LENS	
8	LC30189-002B-A	CONTROL KNOB	
9	LC10055-006A-A	FRONT CABINET	
△ 10	QMPD209-200-JC	POWER CORD	CN10PW(Within MAIN PWB)
△ 11	LC20106-002C-A	POWER CORD CLAMP	
△ 12	LC10056-002G-A	REAR COVER	
13	QYSBSFG4016Z	TAPPING SCREW	(×5)
△ 14	LC31139-001A-A	RATING LABEL	
15	LC30335-001A-A	SP HOLDER	

# EXPLODED VIEW



## PRINTED WIRING BOARD PARTS LIST

## MAIN P.W. BOARD ASS'Y (SFV-1060A-M2) [C-13210/s]

△ Symbol No.	Part No.	Part Name	Description	△ Symbol No.	Part No.	Part Name	Description
<b>RESISTOR</b>				<b>RESISTOR</b>			
R1003-04	NRSA02J-561X	MG R	560Ω 1/10W J	R1511	QRE121J-391Y	C R	390Ω 1/2W J
R1101	NRSA02J-820X	MG R	82Ω 1/10W J	R1521	QRE121J-220Y	C R	22Ω 1/2W J
R1102	NRSA02J-562X	MG R	5.6kΩ 1/10W J	R1522	NRSA02J-391X	MG R	390Ω 1/10W J
R1103	NRSA02J-182X	MG R	1.8kΩ 1/10W J	R1523	NRSA02J-471X	MG R	470Ω 1/10W J
R1104	QRE121J-101Y	C R	100Ω 1/2W J	R1524	QRE121J-271Y	C R	270Ω 1/2W J
R1105	NRSA02J-180X	MG R	18Ω 1/10W J	R1525	QRL029J-101	OM R	100Ω 2W J
R1106	NRSA02J-270X	MG R	27Ω 1/10W J	R1526	QRL039J-152	OM R	1.5kΩ 3W J
R1131	NRSA02J-271X	MG R	270Ω 1/10W J	R1542	QRL029J-151	OM R	150Ω 2W J
R1133	NRSA02J-101X	MG R	100Ω 1/10W J	R1544	QRT039J-R47	MF R	0.47Ω 3W J
R1134	NRSA02J-102X	MG R	1kΩ 1/10W J	R1546	QRL029J-470	OM R	47Ω 2W J
R1135	NRSA02J-561X	MG R	560Ω 1/10W J	R1561	QRK126J-4R7X	C R	4.7Ω 1/2W J
R1136	NRSA02J-182X	MG R	1.8kΩ 1/10W J	△ R1562	NR20032-7151X	MF R	7.15kΩ 1/10W J
R1137	NRSA02J-152X	MG R	1.5kΩ 1/10W J	△ R1563	NR20032-2941X	MF R	2.94kΩ 1/10W D
R1138	NRSA02J-821X	MG R	820Ω 1/10W J	R1564	NRSA02J-153X	MG R	15kΩ 1/10W J
R1139	NRSA02J-0R0X	MG R	0.0Ω 1/10W J	R1565	NRSA02J-0R0X	MG R	0.0Ω 1/10W J
R1142	NRSA02J-101X	MG R	100Ω 1/10W J	R1566	NRSA02J-333X	MG R	33kΩ 1/10W J
R1145	NRSA02J-472X	MG R	4.7kΩ 1/10W J	R1567	NRSA02J-392X	MG R	3.9kΩ 1/10W J
R1146	NRSA02J-562X	MG R	5.6kΩ 1/10W J	R1568	NRSA02J-223X	MG R	22kΩ 1/10W J
R1161-62	NRSA02J-102X	MG R	1kΩ 1/10W J	R1581	QRL146J-2R2X	C R	2.2Ω 1/4W J
R1164	NRSA02J-332X	MG R	3.3kΩ 1/10W J	R1582	QRL029J-223	OM R	22kΩ 2W J
R1165	NRSA02J-0R0X	MG R	0.0Ω 1/10W J	R1583-84	QRE121J-563Y	C R	56kΩ 1/2W J
R1166	NRSA02J-333X	MG R	33kΩ 1/10W J	R1585	QRE121J-153Y	C R	15kΩ 1/2W J
R1201	NRSA02J-471X	MG R	470Ω 1/10W J	R1586	QRE121J-472Y	C R	4.7kΩ 1/2W J
R1202	NRSA02J-122X	MG R	1.2kΩ 1/10W J	R1610	QRE121J-271Y	C R	270Ω 1/2W J
R1209	NRSA02J-471X	MG R	470Ω 1/10W J	R1611	NRSA02J-472X	MG R	4.7kΩ 1/10W J
R1210	NRSA02J-392X	MG R	3.9kΩ 1/10W J	R1612	NRSA02J-333X	MG R	33kΩ 1/10W J
R1211	NRSA02J-471X	MG R	470Ω 1/10W J	R1613	NRSA02J-272X	MG R	2.7kΩ 1/10W J
R1212	NRSA02J-103X	MG R	10kΩ 1/10W J	R1651	NRSA02J-102X	MG R	1kΩ 1/10W J
R1215	NRSA02J-334X	MG R	330kΩ 1/10W J	R1701	NRSA02J-563X	MG R	56kΩ 1/10W J
R1216	NRSA02J-563X	MG R	56kΩ 1/10W J	R1702-04	NRSA02J-103X	MG R	10kΩ 1/10W J
R1218	NRSA02J-182X	MG R	1.8kΩ 1/10W J	R1705	NRSA02J-823X	MG R	82kΩ 1/10W J
R1219	NRSA02J-122X	MG R	1.2kΩ 1/10W J	R1706	NRSA02J-103X	MG R	10kΩ 1/10W J
R1251	NRSA02J-750X	MG R	75Ω 1/10W J	R1707	NRSA02J-0R0X	MG R	0.0Ω 1/10W J
R1252	NRSA02J-221X	MG R	220Ω 1/10W J	R1708-09	NRSA02J-103X	MG R	10kΩ 1/10W J
R1253	NRSA02J-681X	MG R	680Ω 1/10W J	R1710	NRSA02J-102X	MG R	1kΩ 1/10W J
R1261	NRSA02J-563X	MG R	56kΩ 1/10W J	R1712	NRSA02J-0R0X	MG R	0.0Ω 1/10W J
R1262	NRSA02J-333X	MG R	33kΩ 1/10W J	R1713	NRSA02J-102X	MG R	1kΩ 1/10W J
R1263	NRSA02J-101X	MG R	100Ω 1/10W J	R1714	NRSA02J-471X	MG R	470Ω 1/10W J
R1264	NRSA02J-102X	MG R	1kΩ 1/10W J	R1715	NRSA02J-105X	MG R	1kΩ 1/10W J
R1265	NRSA02J-681X	MG R	680Ω 1/10W J	R1716	NRSA02J-154X	MG R	150kΩ 1/10W J
R1266	NRSA02J-331X	MG R	330Ω 1/10W J	R1717	NRSA02J-563X	MG R	56kΩ 1/10W J
R1267	NRSA02J-101X	MG R	100Ω 1/10W J	R1719	NRSA02J-102X	MG R	1kΩ 1/10W J
R1301	NRSA02J-681X	MG R	680Ω 1/10W J	R1722	NRSA02J-0R0X	MG R	0.0Ω 1/10W J
R1302	NRSA02J-471X	MG R	470Ω 1/10W J	R1723	NRSA02J-105X	MG R	1MΩ 1/10W J
R1305	NRSA02J-393X	MG R	39kΩ 1/10W J	R1724	NRSA02J-102X	MG R	1kΩ 1/10W J
R1306	NRSA02J-183X	MG R	18kΩ 1/10W J	R1725	NRSA02J-103X	MG R	10kΩ 1/10W J
R1371-73	NRSA02J-151X	MG R	150Ω 1/10W J	R1726	NRSA02J-562X	MG R	5.6kΩ 1/10W J
R1374-76	NRSA02J-331X	MG R	330Ω 1/10W J	R1727	NRSA02J-103X	MG R	10kΩ 1/10W J
R1377-79	NRSA02J-101X	MG R	100Ω 1/10W J	R1728	NRSA02J-562X	MG R	5.6kΩ 1/10W J
R1380-81	QRZ0111-152	C R	1.5kΩ 1/2W K	R1729	NRSA02J-153X	MG R	15kΩ 1/10W J
R1382	QRZ0111-152	C R	1.5kΩ 1/2W K	R1730	NRSA02J-682X	MG R	6.8kΩ 1/10W J
R1383-85	QRL029J-123	OM R	12kΩ 2W J	R1732	NRSA02J-102X	MG R	1kΩ 1/10W J
R1386-88	NRSA02J-272X	MG R	2.7kΩ 1/10W J	R1734	NRSA02J-182X	MG R	1.8kΩ 1/10W J
R1421	NRSA02J-472X	MG R	4.7kΩ 1/10W J	R1735	NRSA02J-102X	MG R	1kΩ 1/10W J
R1422	QRE121J-331Y	C R	330Ω 1/2W J	R1736	NRSA02J-332X	MG R	3.3kΩ 1/10W J
R1423	QRX01GJ-1R8	MF R	1.8Ω 1W J	R1737	NRSA02J-472X	MG R	4.7kΩ 1/10W J
R1425	NRSA02J-823X	MG R	82kΩ 1/10W J	R1738	NRSA02J-102X	MG R	1kΩ 1/10W J
R1427	NRSA02J-392X	MG R	3.9kΩ 1/10W J	R1739	NRSA02J-472X	MG R	4.7kΩ 1/10W J
R1428	NRSA02J-473X	MG R	47kΩ 1/10W J	R1740	NRSA02J-102X	MG R	1kΩ 1/10W J
R1429	NRSA02J-223X	MG R	22kΩ 1/10W J	R1741	NRSA02J-472X	MG R	4.7kΩ 1/10W J
R1430-31	NRSA02J-0R0X	MG R	0.0Ω 1/10W J	R1742	NRSA02J-102X	MG R	1kΩ 1/10W J
R1441	QRE121J-102Y	C R	1kΩ 1/2W J	R1743-47	NRSA02J-0R0X	MG R	0.0Ω 1/10W J
R1501	NRSA02J-361X	MG R	360Ω 1/10W J	R1751	NRSA02J-103X	MG R	10kΩ 1/10W J
R1502	NRSA02J-152X	MG R	1.5kΩ 1/10W J	R1752	NRSA02J-472X	MG R	4.7kΩ 1/10W J
R1504	NRSA02J-0R0X	MG R	0.0Ω 1/10W J	R1753	NRSA02J-153X	MG R	15kΩ 1/10W J
R1505	NRSA02J-822X	MG R	8.2kΩ 1/10W J	R1754	NRSA02J-103X	MG R	10kΩ 1/10W J
R1506	NRSA02J-222X	MG R	2.2kΩ 1/10W J	R1755	NRSA02J-472X	MG R	4.7kΩ 1/10W J
R1507	NRSA02J-563X	MG R	56kΩ 1/10W J	R1756	NRSA02J-153X	MG R	15kΩ 1/10W J

△ Symbol No.	Part No.	Part Name	Description
<b>RESISTOR</b>			
R1757-58	NRSA02J-222X	MG R	1.2kΩ 1/10W J
R1759	NRSA02J-0R0X	MG R	0.0Ω 1/10W J
R1763	NRSA02J-153X	MG R	15kΩ 1/10W J
R1765-66	NRSA02J-0R0X	MG R	0.0Ω 1/10W J
R1767	NRSA02J-474X	MG R	470kΩ 1/10W J
R1768	NRSA02J-473X	MG R	47kΩ 1/10W J
R1769	NRSA02J-102X	MG R	1kΩ 1/10W J
R1771	NRSA02J-0R0X	MG R	0.0Ω 1/10W J
R1804-06	NRSA02J-101X	MG R	100Ω 1/10W J
△ R1901	QRF054K-2R2	UNF R	2.2 Ω 5W K
△ R1921	QRX029J-2R7	MF R	2.7 Ω 2W J
△ R1922	QRJ149J-330	C R	33Ω 1/4W J
R1923	QRJ149J-470	C R	47Ω 1/4W J
R1924	QRN141J-224Y	C R	220kΩ 1/4W J
R1925	QRN141J-103Y	C R	10kΩ 1/4W J
△ R1926	QRF154J-331	UNF R	330 Ω 15W J
R1952	NRSA02J-222X	MG R	2.2kΩ 1/10W J
R1953	NRSA02J-122X	MG R	1.2kΩ 1/10W J
R1954	QRE121J-272Y	C R	2.7kΩ 1/2W J
R1955	NRSA02J-223X	MG R	22kΩ 1/10W J
R1956	QRE121J-101Y	C R	100Ω 1/2W J
R1957	NRSA02J-472X	MG R	4.7kΩ 1/10W J
R1958	NRSA02J-563X	MG R	56kΩ 1/10W J
△ R1981	QRZ9041-275	C R	2.7M 1/2W K

Symbol No.	Part No.	Part Name	Description
<b>CAPACITOR</b>			
C1001	QETN1HM-106Z	E CAP.	10μF 50V M
C1003	QETN1AM-477Z	E CAP.	470μF 10V M
C1004	QETN1HM-106Z	E CAP.	10μF 50V M
C1005	NCB21HK-103X	C CAP.	0.01μF 50V K
C1006	QETN1EM-476Z	E CAP.	47μF 25V M
C1011-12	NCB21HK-102X	C CAP.	1000pF 50V K
C1013	NCB21HK-104X	CHIP CAP.	0.1μF 50V K
C1101-04	NCB21HK-103X	C CAP.	0.01μF 50V K
C1105	QETN1CM-107Z	E CAP.	100μF 16V M
C1106	NCB21HK-103X	C CAP.	0.01μF 50V K
C1107	NRSA02J-0R0X	MG R	0.0Ω 1/10W J
C1108	NDC21HJ-680X	C CAP.	68pF 50V J
C1131	QFV21HJ-154Z	MF CAP.	0.15μF 50V J
C1132	NCB21HK-152X	C CAP.	1500pF 50V K
C1133	QETN1HM-474Z	E CAP.	0.47μF 50V M
C1134	NCB21HK-102X	C CAP.	1000pF 50V K
C1135	NCB21HK-103X	C CAP.	0.01μF 50V K
C1138	QETN1EM-476Z	E CAP.	47μF 25V M
C1161	QETN1CM-107Z	E CAP.	100μF 16V M
C1162	NCB21HK-103X	C CAP.	0.01μF 50V K
C1163-64	NDC21HJ-470X	C CAP.	47pF 50V J
C1166	NCB21HK-103X	C CAP.	0.01μF 50V K
C1167	NCB21HK-392X	C CAP.	3900pF 50V K
C1168	QETN1HM-106Z	E CAP.	10μF 50V M
C1169	NCB21HK-103X	C CAP.	0.01μF 50V K
C1171	QETN1HM-105Z	E CAP.	1μF 50V M
C1172	NCB21HK-102X	C CAP.	1000pF 50V K
C1207	QETN1HM-474Z	E CAP.	0.47μF 50V M
C1208	QETN1HM-106Z	E CAP.	10μF 50V M
C1209-10	QETN1HM-105Z	E CAP.	1μF 50V M
C1214	QETN1HM-106Z	E CAP.	10μF 50V M
C1215	QETN1HM-105Z	E CAP.	1μF 50V M
C1217	QETN1EM-476Z	E CAP.	47μF 25V M
C1251	NCB21HK-104X	CHIP CAP.	0.1μF 50V K
C1255	QETN1HM-106Z	E CAP.	10μF 50V M
C1261	QENC1CM-476Z	BP E CAP.	47μF 16V M
C1303	NCB21HK-103X	C CAP.	0.01μF 50V K
C1304	QETN1CM-107Z	E CAP.	100μF 16V M
C1305	NDC21HJ-100X	C CAP.	10pF 50V J
C1306	NCB21HK-223X	C CAP.	0.022μF 50V K
C1307	QETN1HM-474Z	E CAP.	0.47μF 50V M
C1309	NDC21HJ-2R0X	C CAP.	2.0pF 50V J
C1374-75	NCS21HJ-271X	C CAP.	270pF 50V J
C1376	NCS21HJ-331X	C CAP.	330pF 50V J
C1377	QETN1CM-107Z	E CAP.	100μF 16V M
△ C1392	QCZ0121-102	C CAP.	1000pF 3kV Z
C1401	QETN1HM-225Z	E CAP.	2.2μF 50V M

Symbol No.	Part No.	Part Name	Description
<b>CAPACITOR</b>			
C1402	QBHC1CK-225Z	TAN. CAP.	2.2μF 16V K
C1403	NCB21HK-102X	C CAP.	1000pF 50V K
C1421	NCB21HK-103X	C CAP.	0.01μF 50V K
C1423	QCS32HJ-180Z	C CAP.	18pF 500V J
C1424	QETN1VM-107Z	E CAP.	100μF 35V M
C1426	QCB32HK-102Z	C CAP.	1000pF 500V K
C1427	QETN1EM-108Z	E CAP.	1000μF 25V M
C1428	QFV21HJ-474Z	MF CAP.	0.47μF 50V J
C1429	QFV21HJ-224Z	MF CAP.	0.22μF 50V J
C1501	QETN1CM-107Z	E CAP.	100μF 16V M
C1502	QETN1HM-225Z	E CAP.	2.2μF 50V M
C1503	NCB21HK-223X	C CAP.	0.022μF 50V K
C1505	QETN1HM-106Z	E CAP.	10μF 50V M
C1511	QETN1EM-476Z	E CAP.	47μF 25V M
C1521	NCB21HK-332X	C CAP.	3300pF 50V K
C1522	NCB21HK-822X	C CAP.	8200pF 50V K
C1523	QEM61HK-105Z	E CAP.	1μF 50V K
△ C1524	QFZ0198-56Z	MPP CAP.	5600pF 1.4kVH±2.5%
C1525	QETN2CM-476Z	E CAP.	47μF 160V M
△ C1526	QFZ0119-404	MPP CAP.	0.4μF 200V ±3%
C1543	QETM1VM-108	E CAP.	1000μF 35V M
C1544-45	QETN1CM-107Z	E CAP.	100μF 16V M
C1546	QETM1CM-228	E CAP.	2200μF 16V M
C1548	QETN1CM-227Z	E CAP.	220μF 16V M
△ C1561	QETN1HM-106Z	E CAP.	10μF 50V M
C1562	QETN1HM-475Z	E CAP.	4.7μF 50V M
C1563	NCB21HK-103X	C CAP.	0.01μF 50V K
△ C1581	QETN2EM-106Z	E CAP.	10μF 250V M
C1582	NCB21HK-473X	C CAP.	0.047μF 50V K
C1584	QFLC2AJ-104Z	M CAP.	0.1μF 100V J
C1601	QETN1HM-474Z	E CAP.	0.47μF 50V M
C1602	QETN1CM-108Z	E CAP.	1000μF 16V M
C1603	NCB21HK-103X	C CAP.	0.01μF 50V K
C1604	QETN1CM-477Z	E CAP.	470μF 16V M
C1611	QETN1HM-105Z	E CAP.	1μF 50V M
C1651	QETN1HM-106Z	E CAP.	10μF 50V M
C1701	NDC21HJ-560X	C CAP.	56pF 50V J
C1703	NCB21HK-102X	C CAP.	1000pF 50V K
C1704	NCB21HK-103X	C CAP.	0.01μF 50V K
C1705	NDC21HJ-151X	C CAP.	150pF 50V J
C1706	NCB21HK-104X	CHIP CAP.	0.1μF 50V K
C1707	QETN1HM-105Z	E CAP.	1μF 50V M
C1708	NCS21HJ-221X	C CAP.	220pF 50V J
C1709	NCS21HJ-102X	C CAP.	1000pF 50V J
C1710	NDC21HJ-681X	C CAP.	680pF 50V J
C1711	QETN1HM-474Z	E CAP.	0.47μF 50V M
C1712	NCB21HK-102X	C CAP.	1000pF 50V K
C1714	NCB21HK-103X	C CAP.	0.01μF 50V K
C1716	QETN1EM-476Z	E CAP.	47μF 25V M
C1717	NCB21HK-104X	CHIP CAP.	0.1μF 50V K
C1718	NCB21HK-103X	C CAP.	0.01μF 50V K
C1719-20	QETN1CM-107Z	E CAP.	100μF 16V M
C1721	NCB21HK-104X	CHIP CAP.	0.1μF 50V K
C1722-23	NDC21HJ-5R0X	C CAP.	5.0pF 50V J
C1724	NCB21HK-103X	C CAP.	0.01μF 50V K
C1725	QETN1AM-227Z	E CAP.	220μF 10V M
C1726	NDC21HJ-470X	C CAP.	47pF 50V J
C1735	NCB21HK-103X	C CAP.	0.01μF 50V K
C1751	QETN1EM-476Z	E CAP.	47μF 25V M
C1801-03	QENC1HM-474Z	BP E CAP.	0.47μF 50V M
△ C1901	QFZ9040-104	MF CAP.	0.1μFAC275V M
△ C1902	QFZ9040-473	MF CAP.	0.047μFAC275V M
△ C1911	QCZ9074-472	C CAP.	4700pFAC250V M
△ C1912	QCZ9074-472	C CAP.	4700pFAC250V M
△ C1913	QCZ9074-472	C CAP.	4700pFAC250V M
△ C1914	QEZO169-337	E CAP.	330μF 200V M
C1921	QETN2CM-106Z	E CAP.	10μF 160V M
C1951	QETN1EM-227Z	E CAP.	220μF 25V M
C1953	QETN1EM-477Z	E CAP.	470μF 25V M
C1954	NCB21HK-473X	C CAP.	0.047μF 50V K
C1956	QETN1HM-106Z	E CAP.	10μF 50V M
C1958	QETN1EM-107Z	E CAP.	100μF 25V M
C1959	QETN1HM-226Z	E CAP.	22μF 50V M

△ Symbol No.	Part No.	Part Name	Description
--------------	----------	-----------	-------------

**CAPACITOR**

△ C1981	QC29074-103	C CAP.	0.01 $\mu$ FAC250V M
△ C1982	QC29074-103	C CAP.	0.01 $\mu$ FAC250V M

**TRANSFORMER**

T1131	QQR0907-001	I. F. TRANSFORMER	
T1161	CEL7003-109J3	S. I. F. TRANSF.	
△ T1521	CE41106-00CJ1	DRIVE TRANSF.	
△ T1522	QQH0029-001	H. V. TRANSF.	
△ T1901	QQT0198-001	POWER TRANSF.	

**COIL**

L1001	QQL03BJ-150Z	PEAKING COIL	
L1003	QQL03BJ-5R6Z	PEAKING COIL	
L1102	QQLZ014-R22	PEAKING COIL	0.22 $\mu$ H
L1104	QQL03BJ-680Z	PEAKING COIL	
L1131	QQL03BJ-220Z	PEAKING COIL	
L1161	QQL03BJ-680Z	PEAKING COIL	
L1162	QQL03BJ-220Z	PEAKING COIL	
△ L1374	QQLZ018-500	HEATER CHOKE	
L1391	QQL03BJ-390Z	PEAKING COIL	
L1701	QQL03BJ-4R7Z	PEAKING COIL	
L1709	QQL03BJ-100Z	PEAKING COIL	

**DIODE**

D1001	MTZJ33B-T2	ZENER DIODE	
D1201-03	1SS133-T2	SI. DIODE	
D1251	MTZJ9.1C-T2	ZENER DIODE	
D1421	1N4003-T2	SI. DIODE	
D1422	MTZJ75-T2	ZENER DIODE	
D1423	1SS133-T2	SI. DIODE	
D1501	MTZJ9.1C-T2	ZENER DIODE	
D1511	MTZJ3.3A-T2	ZENER DIODE	
D1541	RGP10J-5025-T3	SI. DIODE	
D1542	1SR35-400A-T2	SI. DIODE	
D1544	RU3AM-LFC4	SI. DIODE	
D1561	1SS81-T2	SI. DIODE	
△ D1562	MA4068N/Z1/-T2	ZENER DIODE	
D1563	1SS133-T2	SI. DIODE	
△ D1581	RH15-T3	SI. DIODE	
D1582	RGP10J-5025-T3	SI. DIODE	
D1583	MTZJ9.1C-T2	ZENER DIODE	
D1601	MTZJ12C-T2	ZENER DIODE	
D1651	MTZJ9.1C-T2	ZENER DIODE	
D1703	MTZJ5.6A-T2	ZENER DIODE	
D1704-07	1SS133-T2	SI. DIODE	
D1711	1SS133-T2	SI. DIODE	
D1717-18	MTZJ5.6A-T2	ZENER DIODE	
D1751	SLR-342VR3F	L. E. D.	
D1804	MTZJ5.1B-T2	ZENER DIODE	
D1805	1SS133-T2	SI. DIODE	
△ D1911	D2SBA60	BRIDGE DIODE	
D1941-44	1SR35-400A-T2	SI. DIODE	
D1951	MTZJ12C-T2	ZENER DIODE	
D1953	1SR35-400A-T2	SI. DIODE	
D1957-58	1SS133-T2	SI. DIODE	

**TRANSISTOR**

Q1101	2SC5083/L-P/-T	SI. TRANSISTOR	
Q1131-32	2SC2412K/QR/-X	SI. TRANSISTOR	
Q1161	2SC2412K/QR/-X	SI. TRANSISTOR	
Q1203	2SC2412K/QR/-X	SI. TRANSISTOR	
Q1261	2SC2412K/QR/-X	SI. TRANSISTOR	
Q1262	2SA1037AK/QR/-X	SI. TRANSISTOR	
Q1371-73	2SC4722/NP/	SI. TRANSISTOR	
Q1521	2SC2655/Y/-T	SI. TRANSISTOR	
△ Q1522	2SD1876-YD	SI. TRANSISTOR	H. OUT
Q1561	2SC2785/JH/-T	SI. TRANSISTOR	
Q1562	2SA933AS/QR/-T	SI. TRANSISTOR	
Q1601	DTC323TK-X	DIGI. TRANSISTOR	
Q1701-03	2SC2412K/QR/-X	SI. TRANSISTOR	
Q1704	DTC323TK-X	DIGI. TRANSISTOR	
Q1951	2SC2412K/QR/-X	SI. TRANSISTOR	
Q1952	2SA933AS/QR/-T	SI. TRANSISTOR	
Q1953	2SC2412K/QR/-X	SI. TRANSISTOR	

△ Symbol No.	Part No.	Part Name	Description
--------------	----------	-----------	-------------

**IC**

IC1001	AN7805F	I. C. (MONO-ANA)	
IC1201	TA1242N	I. C. (MONO-ANA)	
△ IC1421	LA7830	I. C. (MONO-ANA)	
IC1541-42	AN7809F	I. C. (MONO-ANA)	
△ IC1601	LA4525	I. C. (MONO-ANA)	
IC1701	M37272MA-053SP	I. C. (MICRO-COMP)	
IC1702	AT24C02-C20110	I. C.	(SERVICE)
IC1703	L78LR05E-MA	I. C. (MONO-ANA)	
△ IC1751	GP1U281Q	IFR DETECT UNIT	
△ IC1921	STR30134	I. C. (H)	
IC1951	TA78L009AP-T	I. C. (MONO-ANA)	

**OTHERS**

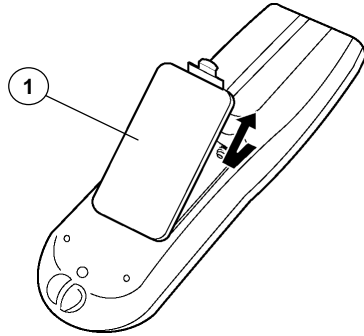
	LC30190-001B-A	LED HOLDER	
	QYSPSPD3010Z	SCREW	
CF1001	QAX0349-001	CERAMIC FILTER	
CF1131	CE41505-001	CERAMIC FILTER	
CF1161	SFSH4.5MCB	CERAMIC FILTER	
CF1501	CSB503F30-T2	CER. RESONATOR	
CF1701	CST8.00MTW	CER. RESONATOR	
CF1702	QAX0428-001	CER. RESONATOR	
CL1001	QZW0028-002	WIRE CLAMP	
CL1002	QZW0028-001	WIRE CLAMP	
△ CN10PW	QMPD200-200-JC	POWER CORD	(Charcoal type)
△ F1901	QMF0007-5R0J1	FUSE	5.0A
△ F1902	QMF0007-1R25J1	FUSE	1.25A
FC1901	CEMG002-001Z	FUSE CLIP	( $\times$ 2)
FC1902	CEMG002-001Z	FUSE CLIP	( $\times$ 4)
△ FR1720	QRZ9017-820	F R	82 $\Omega$ 1/4W J
J1001	QNN0281-002	PIN JACK	
J1002	QNN0281-003	PIN JACK	
J1601	QMS3010-C01	JACK	
△ LF1901	QQR0883-001	LINE FILTER	
△ RY1901	QSK0083-001	RELAY	or QSK0084-001
S1751	QSW0619-003Z	PUSH SWITCH	MENU
S1752	QSW0619-003Z	PUSH SWITCH	CH-
S1753	QSW0619-003Z	PUSH SWITCH	CH+
S1754	QSW0619-003Z	PUSH SWITCH	VOL-
S1755	QSW0619-003Z	PUSH SWITCH	VOL+
△ S1756	QSW0619-003Z	PUSH SWITCH	POWER
△ SF1101	CE42589-201	SAW FILTER	
△ SK1371	CE42554-001	C. R. T. SOCKET	
△ TH1901	CEKPO07-002	P. THERMISTOR	
△ TU1001	QAU0199-001	TUNER	
△ VA1901	ERZV10V361CS	VARIATOR	
X1301	QAX0310-001Z	CRYSTAL	

**MAIN P.W. BOARD ASS'Y (SFV-1061A-M2) [C-13211/s]**

Regarding the parts list for the main PW board ass'y **SFV-1061A-M2**, only the different parts from those of the **SFV-1060A-M2** are described. For further details regarding the other parts, refer to the parts list for the **SFV-1060A-M2** described on page 28 through page 30.

△	Symbol No.	Parts No.		Parts Name	Description
		C-13210/s SFV-1060A-M2	C-13211/s SFV-1061A-M2		
△	CN10PW	QMPD200-200-JC (Charcoal type)	QMPD209-200-JC (White type)	POWER CORD	

## REMOTE CONTROL UNIT PARTS LIST (RM-C205-1C / RM-C205W-1C)



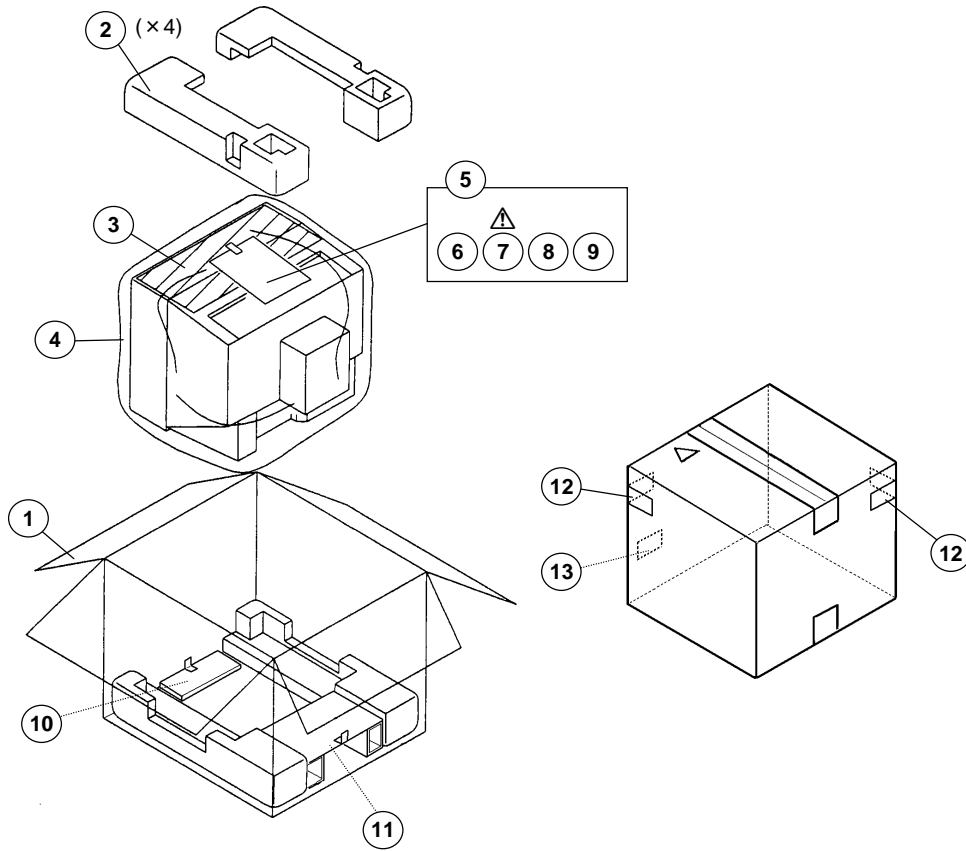
<b>C-13210/S Charcoal Model</b>			
△ Ref.No.	Part No.	Part Name.	Description
1	511A24001	BATTERY COVER	(RM-C205-1C)

<b>C-13211/S White Model</b>			
△ Ref.No.	Part No.	Part Name.	Description
1	511A24003	BATTERY COVER	(RM-C205W-1C)



## PACKING



## PACKING PARTS LIST

<b>C-13210/S Charcoal Model</b>				
△ Ref.No.	Part No.	Part Name	Description	
1	GQ10009-008A-A	PACKING CASE		
2	LC10057-002C-A	CUSHION ASSY	4pcs in 1set	
3	CP30055-005-A	TOP COVER		
4	CP30056-003-A	POLY BAG		
5	QPA02503505	POLY BAG		
6	RM-C205-1C	REMOTE UNIT	[CHARCOAL TYPE]	
△ 7	LCT0948-001A-A	INST. BOOK		
8	BT-51020-1Q	REGISTER CARD		
9	BT-52004-1Q	WARRANTY CARD		
10	LC30746-001A-A	PACKING CUSHION		
11	LC30779-001A-A	PACKING PAD		
12	CM36616-001-A	CORNER LABEL		
<b>C-13211/S White Model</b>				
1	GQ10009-008A-A	PACKING CASE		
2	LC10057-002C-A	CUSHION ASSY	4pcs in 1set	
3	CP30055-005-A	TOP COVER		
4	CP30056-003-A	POLY BAG		
5	QPA02503505	POLY BAG		
6	RM-C205W-1C	REMOCON UNIT	[WHITE TYPE]	
△ 7	LCT0948-001A-A	INST. BOOK		
8	BT-51020-1Q	REGISTER CARD		
9	BT-52004-1Q	WARRANTY CARD		
10	LC30746-001A-A	PACKING CUSHION		
11	LC30779-001A-A	PACKING PAD		
12	CM36616-001-A	CORNER LABEL		
13	GQ40012-001A-A	WHITE MARK		